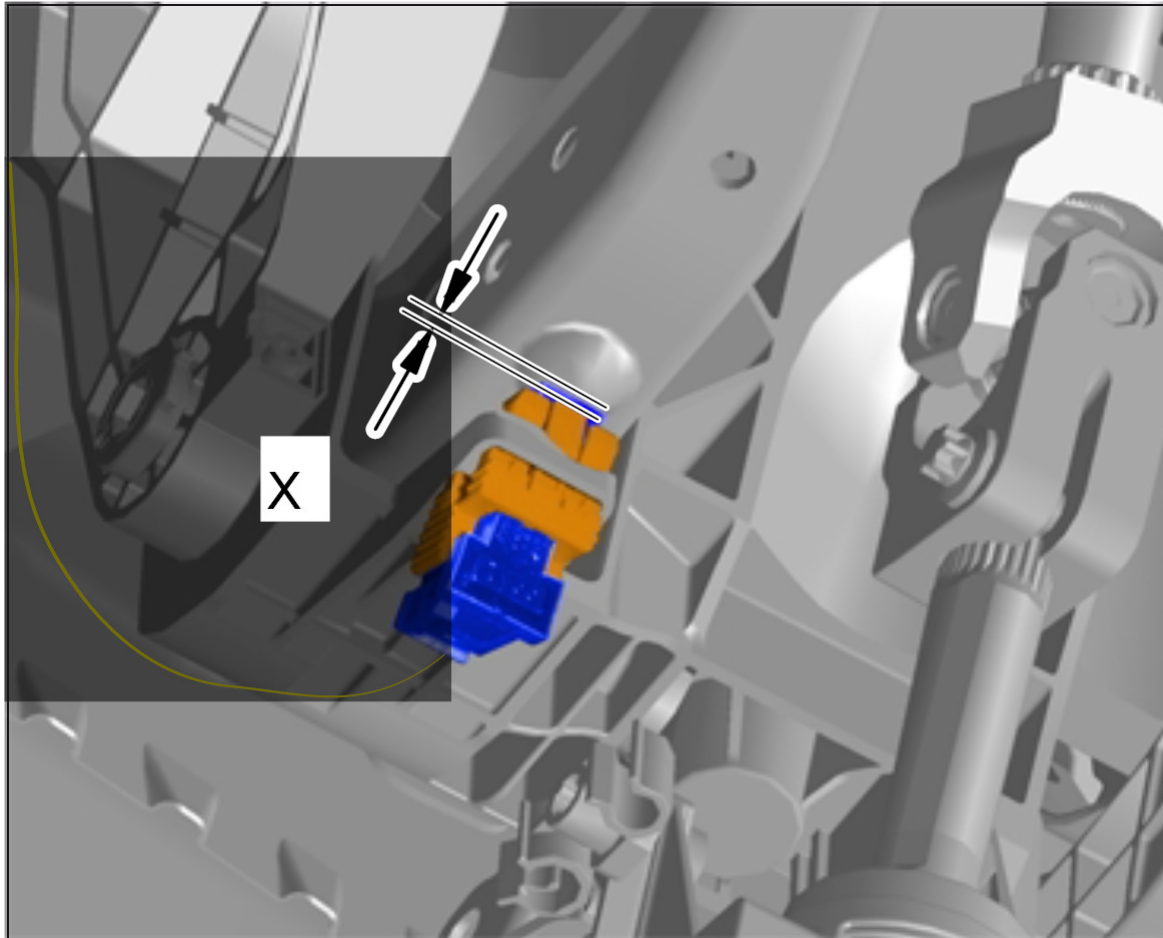


The present document was valid at the time of print. A later version may be available online

WM 943619 Removing and installing brake light switch

Technical values

| Location | Description | Type | Basic value | Tolerance 1 | Tolerance 2 |
|---------------------------------------|--------------------------------------|------------------|-------------|-------------|-------------|
| Gap dimension - x- brake light switch | Gap between sensor and counter plate | Adjustment value | 2 mm | +/-0.5 mm | |



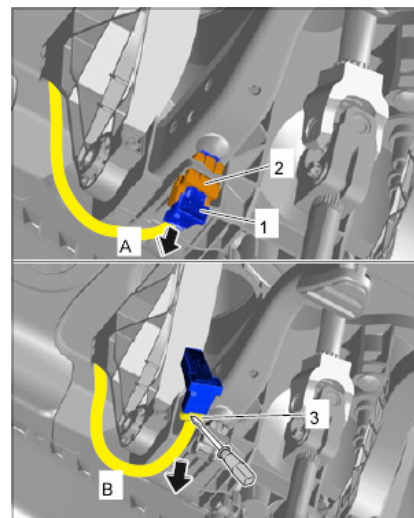
Adjusting brake light switch

Removing brake light switch

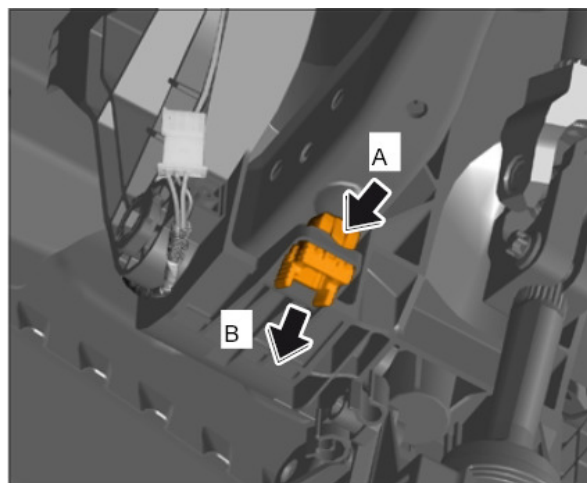
Removing brake light switch

1. Pull the brake light switch -1- out of the frame -2- (-arrow A-).

Removing brake light switch



2. Release electric plug connection **-3-** using a screwdriver and unplug it **-arrow B-** .
3. Release the frame of the brake light switch **-arrow A-** .



Removing frame

4. Press the frame up and out of the retaining bracket **-arrow B-** .

Installing brake light switch

Installing brake light switch



Information

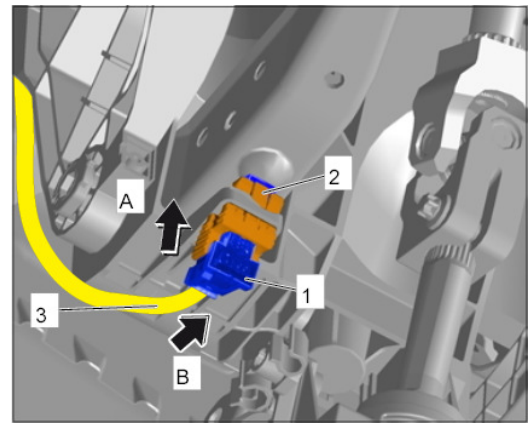
The brake light switch sensor works without contact.

For the switch to work correctly, there must be a specified air gap between the sensor and the baffle plate on the brake pedal.

The baffle plate must not touch the sensor.

When installing, make sure that the brake pedal is in the normal position.

1. Before installing the brake light switch **-1-** , press it out of the frame **-2-** until the underside is flush with the frame.



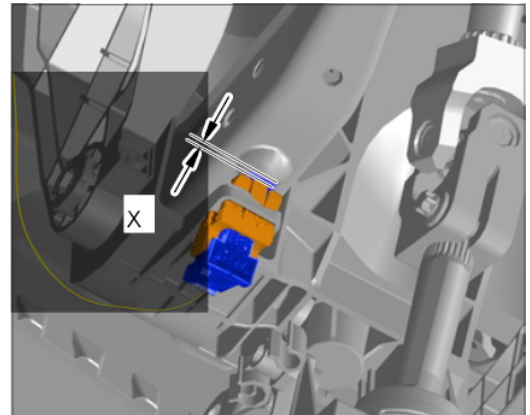
Installing brake light switch

2. Insert the brake light switch **-1-** with the frame **-2-** into the retaining bracket from above **-arrow A-** until the frame's retaining clip latches securely in the retaining bracket.
3. Plug in electric plug connection **-3-** (**-arrow B-**).

Adjusting brake light switch

Adjusting brake light switch

1. Make sure that the brake pedal is in the normal position.



Adjusting brake light switch

2. Hold brake pedal in one hand and press down on the sensor in the frame with the other until the sensor surface is touching the counter plate on the brake pedal.
3. Press the sensor in the frame back up by one to two notches until dimension **-X-** is reached for the gap between the sensor and baffle plate. [Adjustment value 2 mm +/-0.5 mm](#)
4. Perform a function test.

981320, 981321, 981330, 981331, 981110, 981111, 981120, 981121, 981130, 981131, 981310, 981311

Model year as of 2012

C00, C02, C05, C06, C07, C08, C09, C10, C11, C12, C13, C14, C15, C16, C17, C18, C19, C20, C21, C22, C23, C24, C25, C26, C27, C28, C32, C33, C34, C35, C36, C37, C38, C39, C41, C45, C46, C96, C97, C98, C99